

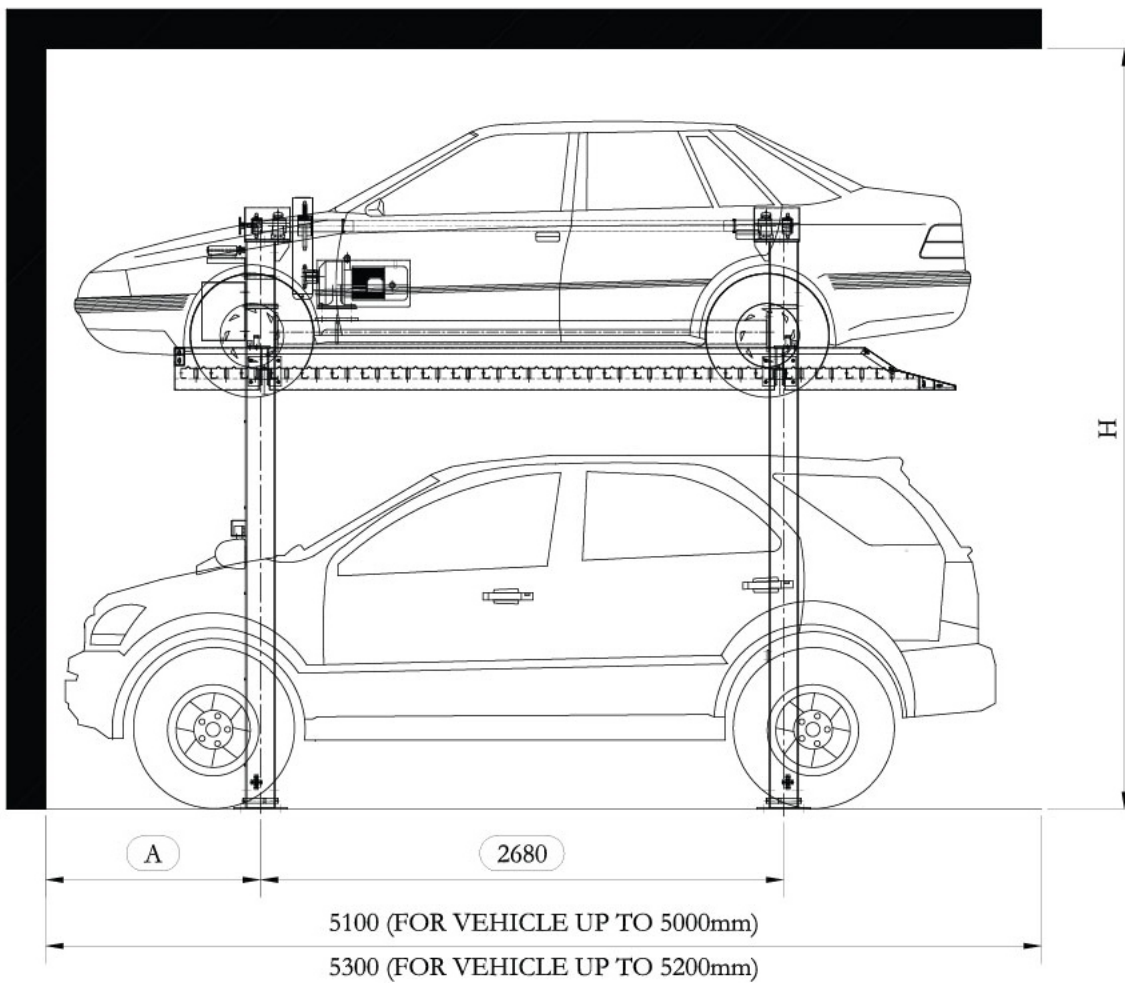
### Key Advantages

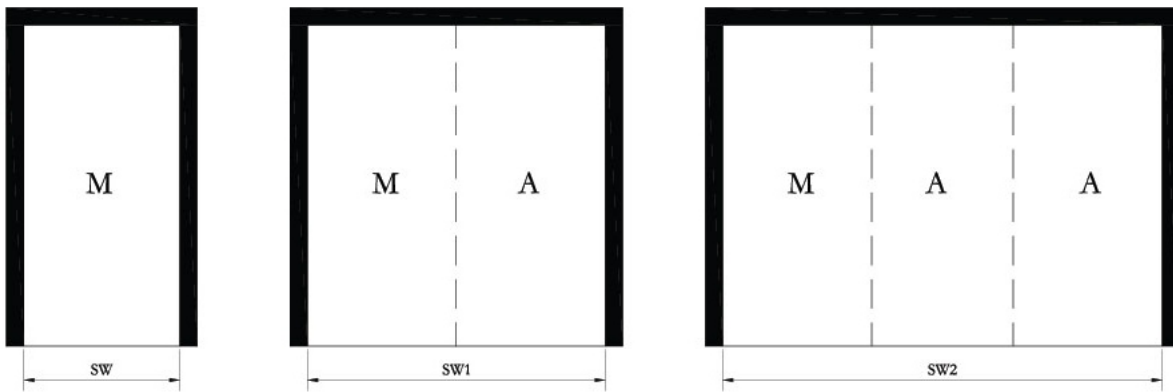
- Simple operation
- Easy maintenance
- Low power consumption
- Ideal for bungalows & apartment owners
- Individually motorized systems

### CAR DATA

TYPE	H	UPPER	LOWER	
RR-TP-20000	3600	1550	1800	SEDAN + SEDAN
	3900	1550	2100	SEDAN + SUV
	4200	1850	2100	TALL BOY + SUV
	4400	2050	2100	SUV + SUV

WIDTH	2000 WITH MIRROR (STD. 2700)
WEIGHT	MAX 2000 KG.
WHEEL LOAD	MAX 500KG.





	WIDTH	MAIN (M) SW	M + A SW1	M + 2A SW2
	2000	2600	4900	7200
USABLE PALLET	2100	2700	5100	7500
	2200	2800	5300	7800

LENGTH		
SHAFT LENGTH	CAR LENGTH	A
5100	5000	1100
5300	5200	1100

