

TWIN PARK - DEPENDANT

RR-ETP-20000

ETP - ELECTROMECHANICAL

CAR DATA

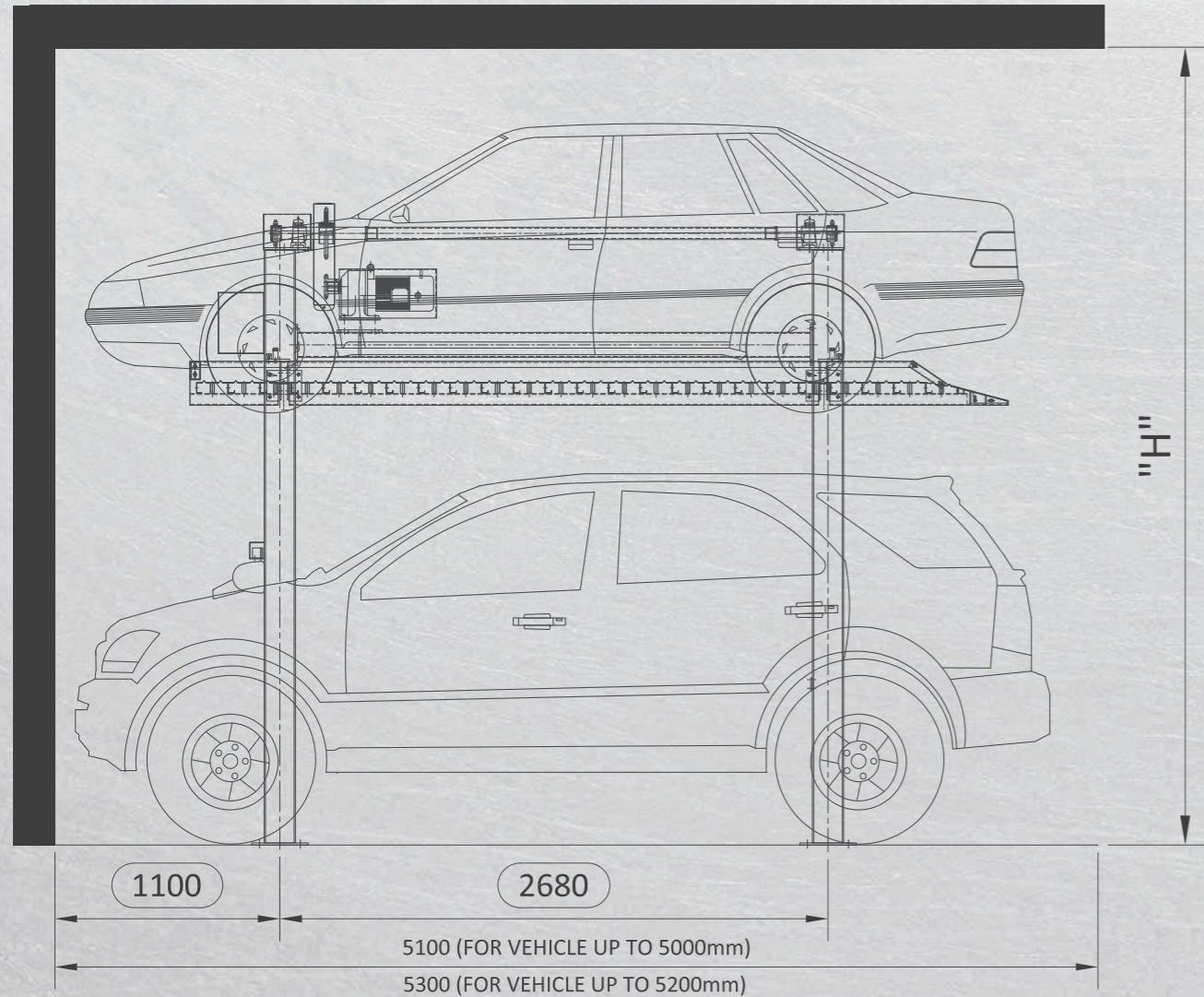
TYPE	H	LOWER	UPPER	CAR TYPE
RR-ETP-20000	3600	1800	1550	SEDAN + TB
	3900	2100	1550	SEDAN + SUV
	4200	2100	1850	TALL BOY + SUV
	4400	2100	2050	SUV + SUV

WIDTH: 2000 with Mirror

WEIGHT: Max 2000 Kg.

WHEEL LOAD: Max 500kg.

	WIDTH	MAIN (M)	M + A	M + 2A
		SW	SW1	SW2
USABLE PALLET	2000	2600	4900	7200
	2100	2700	5100	7500
	2200	2800	5300	7800



SHAFT LENGTH	CAR LENGTH	A
5100	5000	1100
5300	5200	1100

