

STACK PARKERS - DEPENDANT

RR-DS-11000

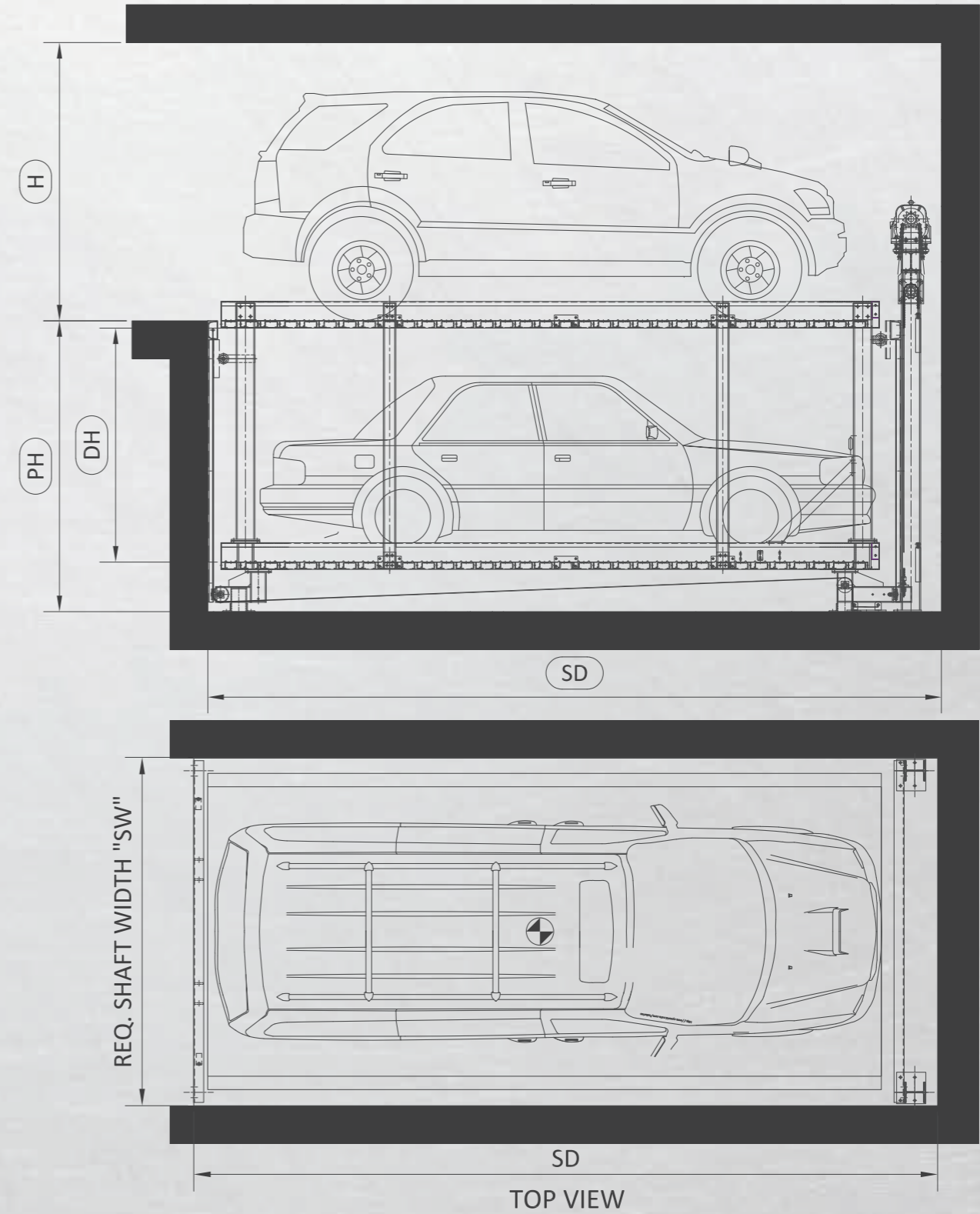
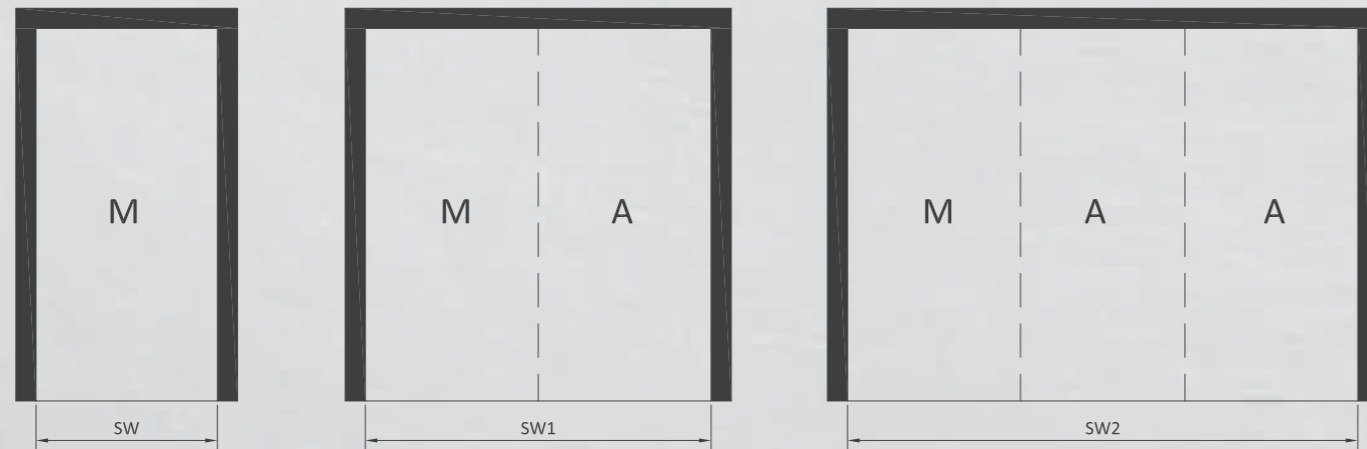
2 STAGE PIT - ELECTROMECHANICAL

TYPE	SHAFT DIMENSIONS			CAR DIMENSIONS		
	H	DH	PH	PIT CAR	GF CAR	(PIT + GF)
RR-DS-11000	2450	1850	2300	1750	2000	TB + SUV
	2450	2100	2550	2000	2000	SUV + SUV

LENGTH

TYPE	CAR LENGTH	SD
RR-DS-11000	5150	5700
	5000	5550
	4850	5400

TYPE	CAR WIDTH	MAIN (M)	M + A	M + 2A
		SW	SW1	SW2
USABLE PALLET	2000	2500	4750	7000
	2100	2600	4950	7300
	2200	2700	5150	7600



STACK PARKERS - DEPENDANT

RR-DS-21000

3 STAGE PIT TYPE DEPENDANT - ELECTROMECHANICAL

SHAFT DIMENSIONS

TYPE	SHAFT DIMENSIONS					CAR DIMENSIONS			
	H1	H2	H	DH	PH	PIT	GF	1F	(PIT + GF + 1F)
RR-DS-21000	2450	1700	4150	1850	2300	1750	2000	1550	TB + SUV + SEDAN
	2450	1900	4350	1850	2300	1750	2000	1750	TB + SUV + TB
	2450	2150	4600	1850	2300	1750	2000	2000	TB + SUV + SUV
	2450	1700	4150	2100	2550	2000	2000	1550	SUV + SUV + SEDAN
	2450	1900	4350	2100	2550	2000	2000	1750	SUV + SUV + TB
	2450	2150	4600	2100	2550	2000	2000	2000	SUV + SUV + SUV

LENGTH

TYPE	CAR LENGTH	"SD" FOR OUTSIDE FRONT COLUMN	"SD" FOR INSIDE FRONT COLUMN
RR-DS-21000	5150	5700	5900
	5000	5550	5750
	4850	5400	5600

	WIDTH (1F)	WIDTH (GF,PIT)	MAIN (M)	M+A	M+2A
			SW	SW1	SW2
USABLE PALLET	2000	2150	2650	5050	7450
	2100	2250	2750	5250	7750
	2200	2350	2850	5450	8050

